

The Spartronics Experimenter 1 Board

BJ Furman
28NOV2009

The Spartronics Experimenter 1 Board

The Spartronics Experimenter 1 board was designed and fabricated by Eric Wertz for the ME 30 class during Fall 2009. Figure 1 shows the board and its major elements

Pinouts

Digital Pins

Pin	Description
3	RGB LED red (anode)
4	Speaker
5	RGB LED green (anode)
6	RGB LED blue (anode)
7	Momentary push-button switch

Analog Pins

Pin	Description
0	Pot output

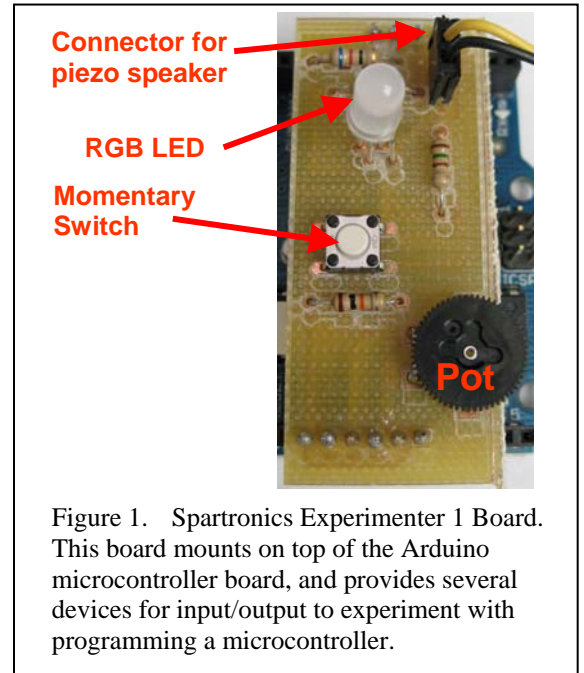


Figure 1. Spartronics Experimenter 1 Board. This board mounts on top of the Arduino microcontroller board, and provides several devices for input/output to experiment with programming a microcontroller.

Attachment to the Arduino Board

Figure 2 shows how the Spartronics Experimenter 1 board plugs into the female headers on the Arduino. Figure 3 shows an electrical schematic diagram for the Spartronics Experimenter 1 board.

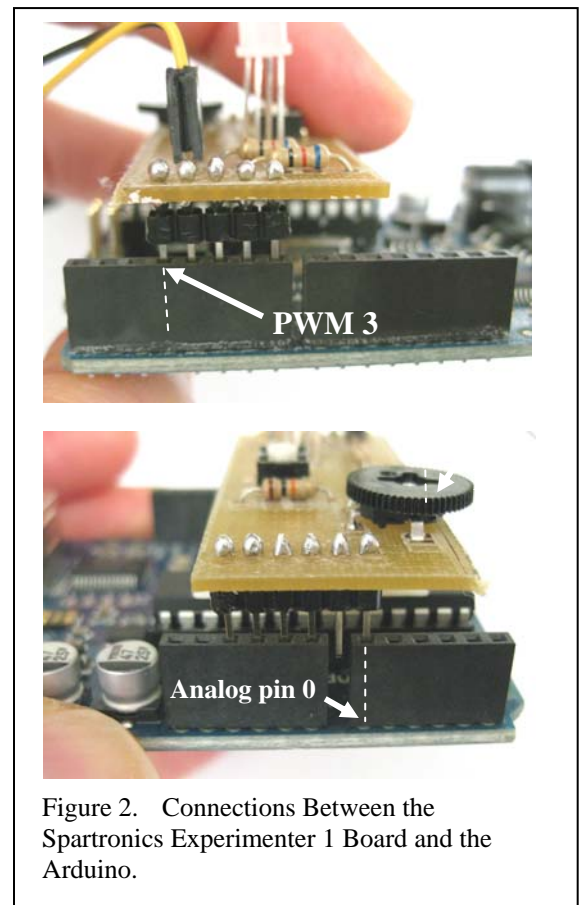


Figure 2. Connections Between the Spartronics Experimenter 1 Board and the Arduino.

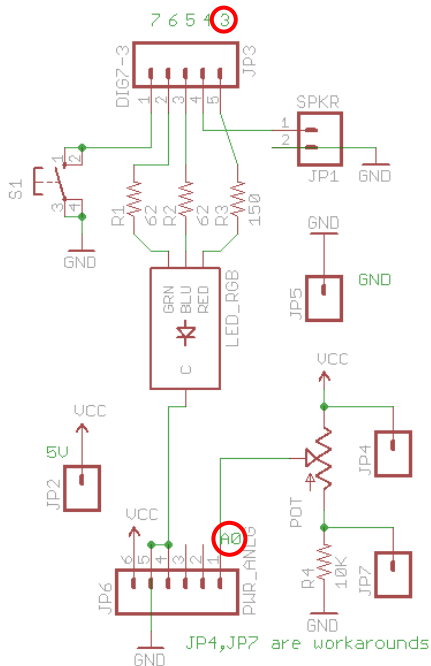


Figure 3. Schematic Diagram of the Spartronics Experimenter 1 Board. The pins circled in red correspond with those shown in Figure 2.